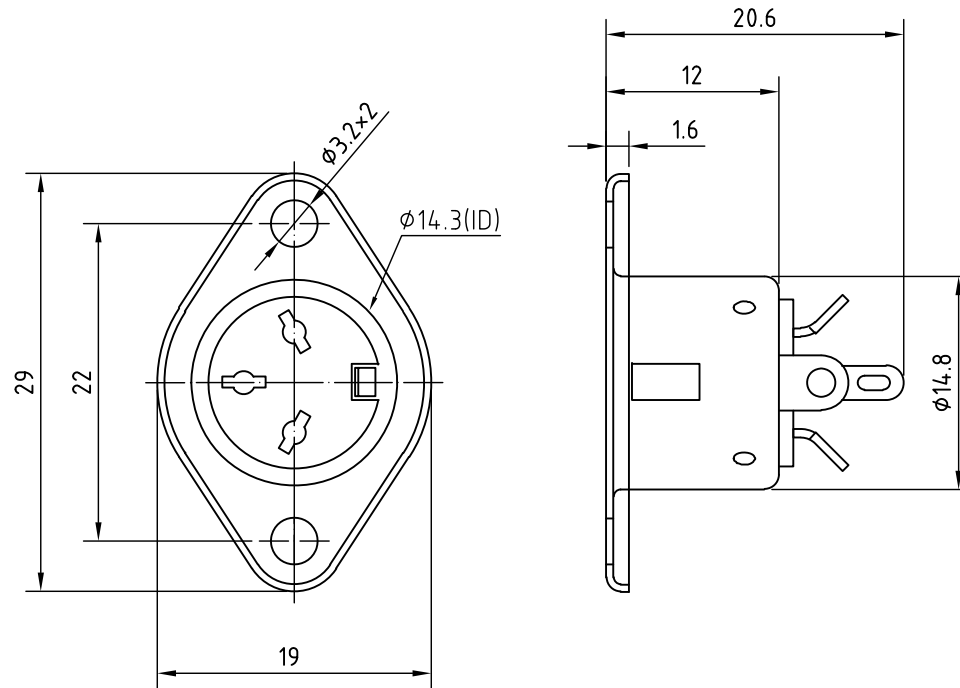


REV.	Description	Date
1	upgrade drawing	2011/10/25



Specification:

1. Contact resistance: 20MΩ max.
2. Dielectric strength: 1000V AC / 1 minute
3. Insulation resistance: 100MΩ min. at 500V DC
4. Rating: 100V AC 2A

RoHS

TOLERANCE X±0.5 X.X±0.3

CONTACT ARRANGEMENT FRONT VIEW (FEMALE)	3P	4P	5AP	5BP	6P	7P	8P

4	Grounding piece	Brass	Nickel plated
3	Terminal	Brass	Nickel plated
2	Plastic core	ABS	
1	Main body	SPCC	Nickel plated
Item	Description	Material	Treat & Remark



Unicable Co., Ltd. 國陽電業有限公司

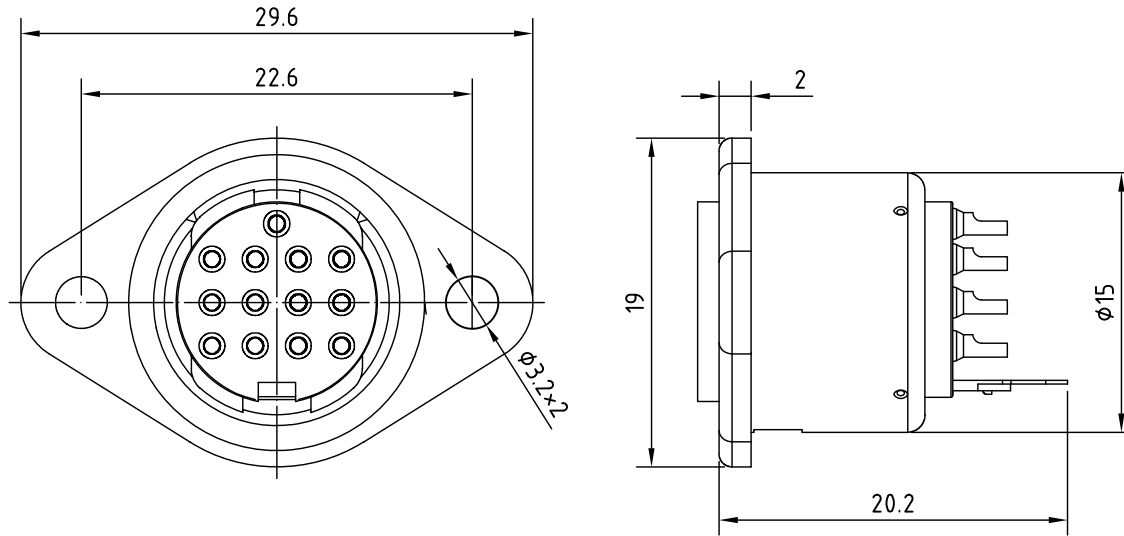
5F., No. 111-33, Sec. 4, San Ho Road, San Chung City, Taiwan, R.O.C.

<http://www.unicable.com.tw> TEL:+886-2-2286-2122 FAX:+886-2-2286-1010

DATE	2016/10/7	PART NO.	UT-DS555-XP
DWN	GINA	REV.	1
CHK			
UNIT	MM		

ITEM	Push Lock Din Connector Socket
------	--------------------------------

REV.	Description	Date



Specification:

1. Dielectric strength: 250V AC / 1 minute
2. Insulation resistance: 100MΩ min. at 250V DC
3. Current capacity: 100V AC 1A / 12V DC 1A

RoHS

TOLERANCE X±0.5 X.X±0.3

4	Terminals	Brass	Silver plated
3	Housing	PBT	
2	Negative contact	Copper	Nickel plated
1	Body cover	Steel	Nickel plated
Item	Description	Material	Treat & Remark



Unicable Co., Ltd. 國陽電業有限公司

5F., No. 111-33, Sec. 4, San Ho Road, San Chung City, Taiwan, R.O.C.

http://www.unicable.com.tw TEL:+886-2-2286-2122 FAX:+886-2-2286-1010

DATE	2016/10/7	PART NO.	UT-DS555-13P
DWN	GINA	REV.	0
CHK			
UNIT	MM		

ITEM	Push Lock Din Connector Socket
------	--------------------------------